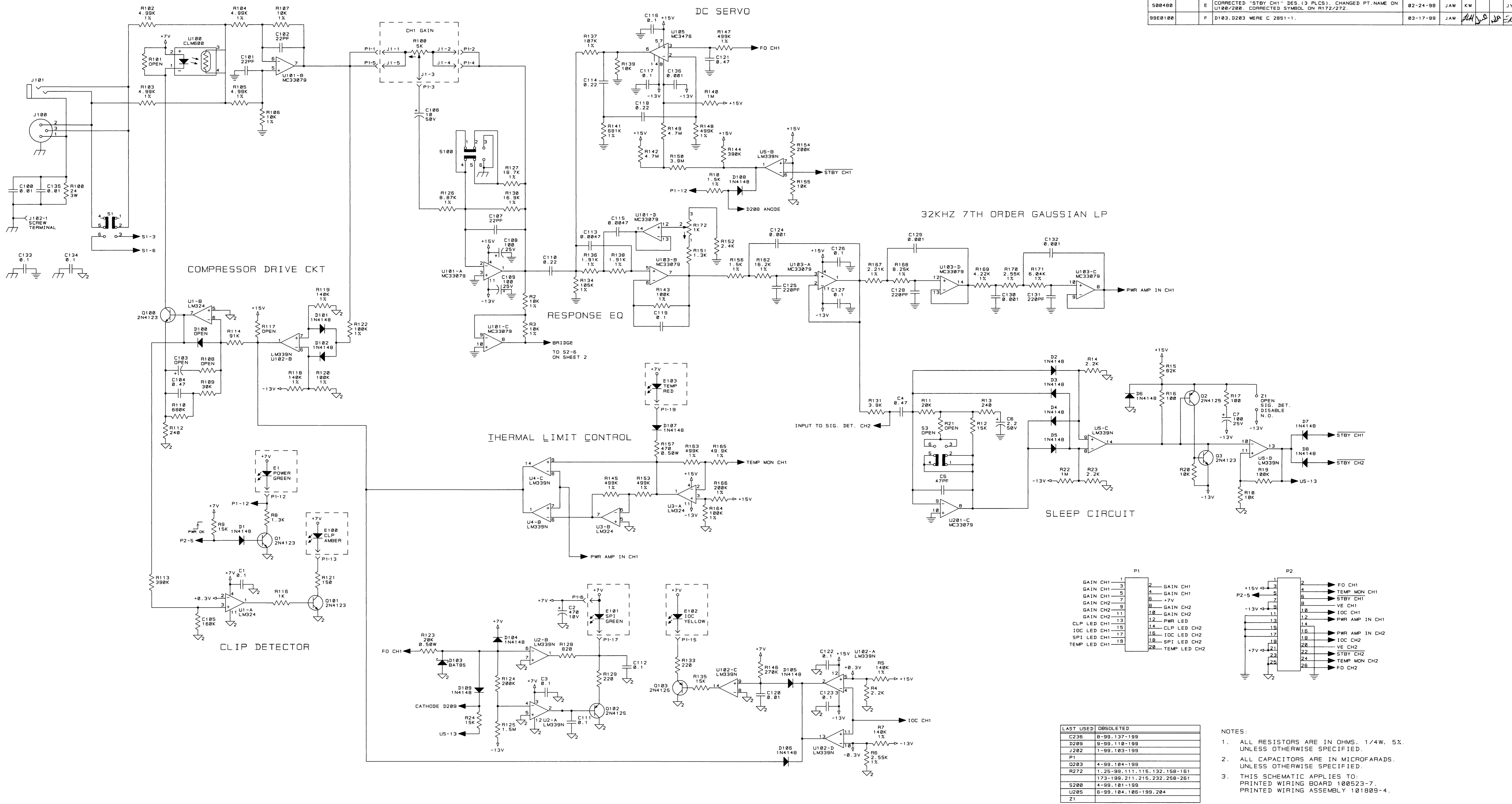


E.C.N.	ZONE	REV	DESCRIPTION	DATE	BY	APPROVAL
						CK CM EE PE
580480		D	ADDED D108, D208, AND R24. REVISED AND REDRAWN USING CADSTAR.	10-13-97	KLW	TLM
580480		E	CORRECTED "STBY CH1" DES. 13 PLCS). CHANGED PT. NAME ON U100/208. CORRECTED SYMBOL ON R172/272.	02-24-98	JAW	KW
98E0100		F	D103, D203 WERE C 2851-1.	03-17-99	JAW	AM, J, SP, ER



LAST USED	OBSOLETE
C236	8-99, 137-199
D209	9-99, 110-199
J202	1-99, 103-199
P1	
Q203	4-99, 104-199
R272	1, 25-99, 111, 115, 132, 150-161
S200	4-99, 101-199
U205	6-99, 104, 106-199, 204
Z1	

- NOTES:
- ALL RESISTORS ARE IN OHMS, 1/4W, 5% UNLESS OTHERWISE SPECIFIED.
  - ALL CAPACITORS ARE IN MICROFARADS, UNLESS OTHERWISE SPECIFIED.
  - THIS SCHEMATIC APPLIES TO: PRINTED WIRING BOARD 100523-7. PRINTED WIRING ASSEMBLY 101009-4.

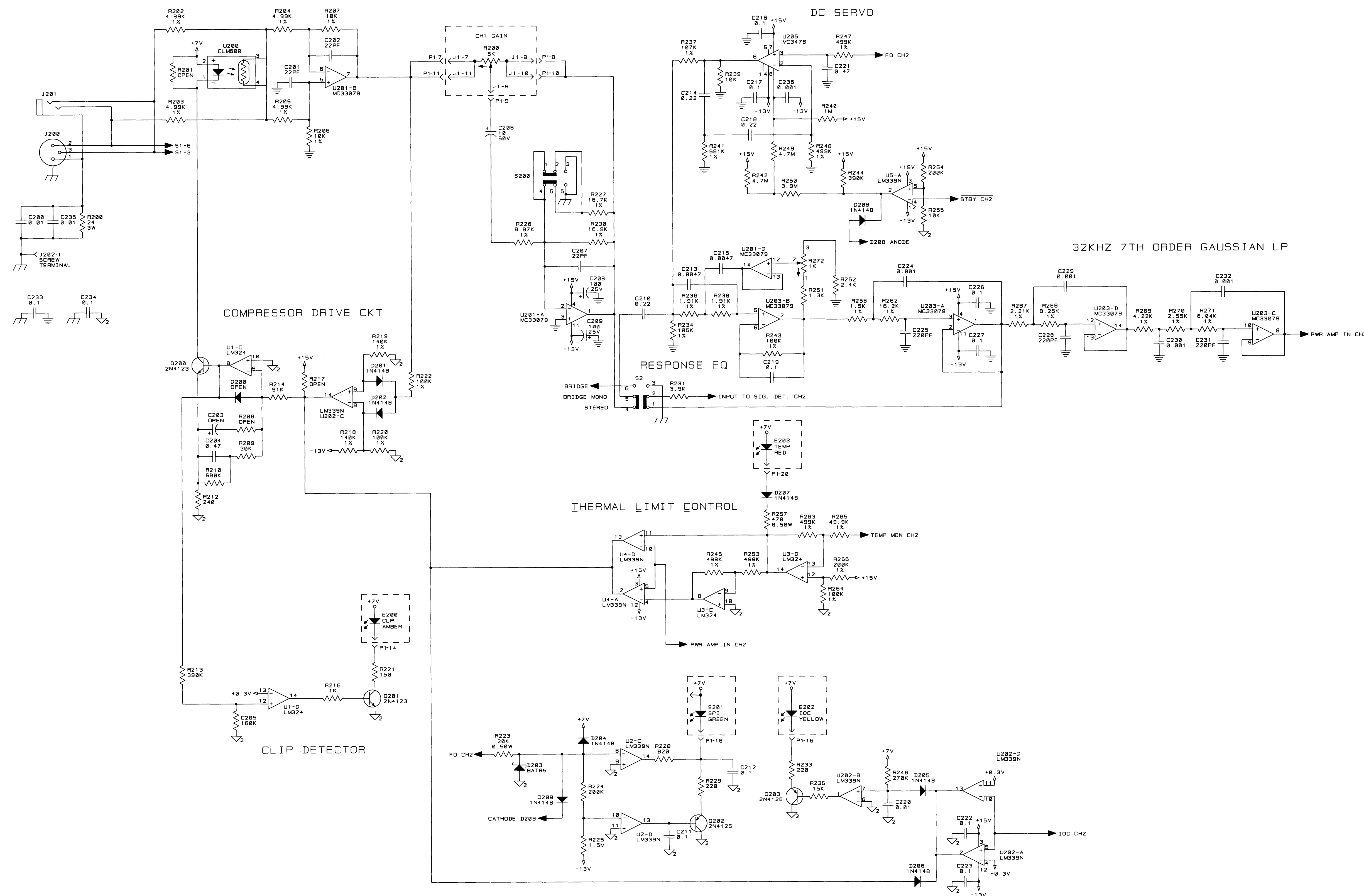
**CROWN INTERNATIONAL, INC.**  
1718 W. MISHAWAKA RD. ELKHART IN. 46517 PHONE (219) 294-8000

**SCH, INPUT K1**

PRINTS TO	DRAWN BY	KLW	10-13-97	APPROVED BY:	DO NOT SCALE PRINT
G	CHECKED	AM	3-18-99	ME	SUPERSEDES
SCALE	NONE			EE	E.C.
PROJ. #	M035050			PE	JY
DATE	10-14-97			DWG. NO.	SHEET 1 OF 2
FILENAME:	101946F.SCM			NEXT ASSEMBLY:	101946 (F)

TOL. UNLESS SPECIFIED  
X.XX = .0002"  
X.XXX = .0001"  
DRILLS = .0003"

THESE DRAWINGS AND SPECIFICATIONS ARE THE PROPERTY OF CROWN INTERNATIONAL, INC. AND SHALL NOT BE REPRODUCED, COPIED, OR USED AS THE BASIS FOR THE MANUFACTURE OR SALE OF APPARATUS OR DEVICES WITHOUT PERMISSION.



THESE DRAWINGS AND SPECIFICATIONS ARE THE PROPERTY OF CROWN INTERNATIONAL, INC. AND SHALL NOT BE REPRODUCED, COPIED, OR USED AS THE BASIS FOR THE MANUFACTURE OR SALE OF APPARATUS OR DEVICES WITHOUT PERMISSION.